

## Current measuring module 800-CT8-LP

### Data sheet

### Current measuring module 800-CT8-LP



### Current measuring module 800-CT8-LP

(Suitable for basic devices of the 800 series -  
suitable basic devices see user manual of the module)

Doc.-Nr.: 2.053.113.1.b

Status: 06/2025

The German version is the original version of the documentation.

## Subject to technical changes

The content of our documentation has been compiled with the utmost care and is based on the latest information available to us. Nevertheless, we would like to point out that the updating of this document cannot always be performed simultaneously with the further technical development of our products. Information and specifications can be changed at any time.

Please consult [www.janitza.com](http://www.janitza.com) for information on the current version.

# Device views

- The figures serve as illustrations and are not true to scale.
- Dimensions in mm (in).

Front view



**i INFORMATION**

The dimensions of the device/module vary depending on the connection terminals used!

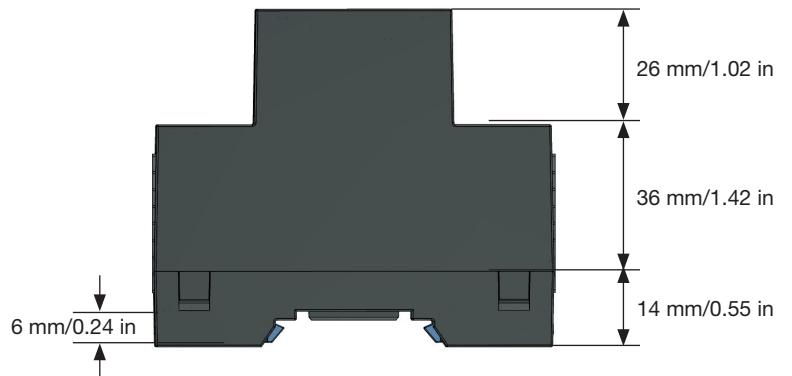
View from below



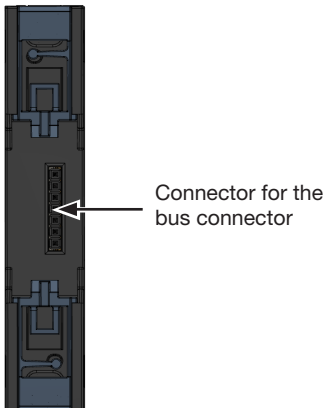
View from above



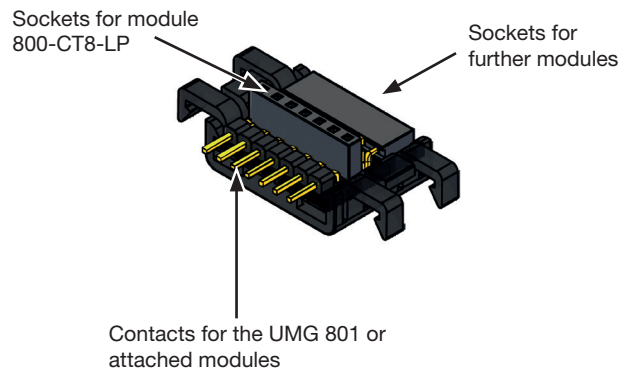
View from the left



Rear view



Communication bus connector for the module 800-CT8-LP



# Technical data

<b>General information</b>	
Net weight (with plug-in terminals)	73 g (0.16 lb)
Device dimensions (without plug-in terminals)	B = 18 mm (w = 0.71 in), H = 90 mm (h = 3.54 in) , T = 76 mm (d = 2.99 in)
Width of the device in horizontal pitches	1 HP (1 HP = 18 mm / 0.71 in)
Installation position discretionary	discretionary
Mounting/assembly - suitable DIN rails (35 mm / 1.38 in)	<ul style="list-style-type: none"> <li>· TS 35/7,5 according to EN 60715</li> <li>· TS 35/10</li> <li>· TS 35/15 x 1,5</li> </ul>
Protection against foreign matter and water	IP20 according to EN60529
Impact resistance	IK07 according to IEC 62262

<b>Transport and storage</b>	
The following information applies to devices which are transported and stored in the original packaging.	
Free fall	1 m (39.37 in)
Temperature	K55: -25 °C (-13 °F) to +70 °C (158 °F)
Relative humidity	0 to 95% at 25 °C (77 °F) non-condensing

<b>Ambient conditions during operation</b>	
The module <ul style="list-style-type: none"> <li>· only operate with suitable basic devices (see user manual of the module).</li> <li>· must be used in a weather-protected, stationary application.</li> <li>· fulfills the operating conditions according to DIN IEC 60721-3-3.</li> <li>· possesses protection class II according to IEC 60536 (VDE 0106, Part 1), a ground wire connection is not required!</li> </ul>	
Measurement temperature range	-10 °C (14 °F) to +55 °C (131 °F)
Relative humidity	5 to 95% at 25 °C (77 °F) non-condensing
Pollution degree	2
Ventilation	No external ventilation required.
Supply voltage	Through the basic device

<b>Current measurement</b>	
Measurement via low-power current transformers with a secondary voltage of	.. / 0 - 400 mV
Channels	8 (2x4) <ul style="list-style-type: none"> <li>· 2 systems (L1, L2, L3, N)</li> <li>· Single channels</li> </ul>
Input impedance per channel	230 kΩ
Nominal input signal of the module	0 .. 400 mV
Crest factor	1.8
Overload for 1 s	1 V
Resolution	16 bit
Sampling frequency	6.8 kHz
Frequency of the fundamental oscillation	40 Hz .. 70 Hz
Harmonics	1 ... 25. (odd only)

<b>Interface and energy supply</b>	
JanBus (proprietary)	· Via bus connector
Supply voltage (via JanBus interface)	24 V

<b>Connection capacity of the terminals - spring-type terminal (push in clamps)</b>	
Connection capacity of the terminals - spring-type terminal (push in clamps)	
Single core, multi-core, fine-stranded (min. - max.)	0.14 mm <sup>2</sup> - 1.5 mm <sup>2</sup> , AWG 26-16
Wire end ferrules with collar * according to DIN 46 228/4, (min. - max.)	0.25 mm <sup>2</sup> - 1 mm <sup>2</sup> , AWG 22-17
Wire end ferrules without collar * according to DIN 46 228/4, (min. - max.)	0.25 mm <sup>2</sup> - 1.5 mm <sup>2</sup> , AWG 22-16
Wire end ferrules: - Length of contact sleeve ** - Stripping length	- 8 - 12 mm (0.31 - 0.47 in) - 10 - 12 mm (0.39 - 0.47 in)

\* ... Applies to wire ferrules with a maximum plastic collar outer diameter of up to 3.5 mm (0.14 in).

\*\*.. Depending on the type of wire ferrules used (ferrule manufacturer).

<b>Module 800-CT8-LP LEDs</b>	
Tx (send data)	Flash "orange" during operation and indicate cyclic data exchange.
Rx (receive data)	
P (power - power supply)	Lights up "green" when the power supply via the JanBus interface is correct.
E (error - initialization and malfunction)	Lights up "red" when initializing/starting the device and in the event of a fault.

## **ⓘ INFORMATION**

Detailed information on the functions and data of the basic device can be found in the usage information included with the basic device or available for download at [www.janitza.com](http://www.janitza.com)!

### **Performance characteristics of functions**

<b>Function</b>	<b>Symbol</b>	<b>Accuracy class - 333 mV nominal voltage</b>	<b>Display range</b>
Total active power	P	0.5 (IEC61557-12)	0 .. 999 GW
Total reactive power	QA, Qv	1 (IEC61557-12)	0 .. 999 Gvar
Total apparent power	SA, Sv	0.5 (IEC61557-12)	0 .. 999 GVA
Total active energy	Ea	0.5 (IEC61557-12) 0.5S (IEC62053-22)	0 .. 999 GWh
Total reactive energy	ErA, ErV	1 (IEC61557-12)	0 .. 999 Gvarh
Total apparent energy	EapA, EapV	0.5 (IEC61557-12)	0 .. 999 GVAh
Phase current	I	0.2 (IEC61557-12)	0 .. 999 kA
Neutral conductor current calculated	INc	1.0 (IEC61557-12)	0.03 .. 999 kA
Power factor	PFA, PFV	1 (IEC61557-12)	0.00 .. 1.00
Current harmonics	Ih	Cl. 1 (IEC61000-4-7)	0 A .. 999 kA
THD of the current	THD <sub>I</sub>	1.0 (IEC61557-12)	0 .. 999 %

Janitza electronics GmbH  
Vor dem Polstück 6  
D-35633 Lahnau  
Support Tel. +49 6441 9642-22  
Email: [info@janitza.de](mailto:info@janitza.de)  
[www.janitza.com](http://www.janitza.com)

***Janitza***<sup>®</sup>