



CVM-B50-MC

CVM-B50-MC, Power analyzer 96 x 96

Code: M56920.

- > Protocol: Modbus TCP/IP
- > Memory: Yes
- > Communications: Ethernet | Wi-Fi
- > Transistor output: 2
- > N° relays: 2
- > Digital inputs: 4
- > Measuring Channels: 4
- > Harmonics: 31
- > Input current: .../250 mA
- > Mounting: Pannel
- > Modules: 96 x 96

Description

The **CVM-B50** is a panel-mounted power analyzer (96 × 96mm) with energy logging, downloadable memory, and **integrated web server**. It allows start-up via the app or web server without additional software and features an automatic wiring error correction system for simple installation.

Ideal for analysing electrical variables and consumption quality, including voltage and current **THD%**, as well as individual phase harmonics up to the 31st order. Neutral current measurement enables detection of imbalances and potential neutral conductor overloads.

Compact and versatile, it performs **four-quadrant** measurements (consumption and generation), suitable for both **Medium and Low Voltage installations**.

Characteristics of the device

- 40 days of built-in downloadable memory in CSV (mobile or PC)
- Configuration, display and start-up via app or web server
- Neutral current measurement
- THDU%, THDI%, and harmonics (up to 31st order)
- Automatic Autowiring system (wiring error correction)
- Wi-Fi and Ethernet communications (Modbus TCP/IP)
- 4 inputs, 2 relay outputs, and 2 digital outputs
- User-defined screen creation with selected variables
- Display of active quadrant and power usage percentage
- Current measurement via .../50A, .../10A, .../250mA or flexible clamps (depending on model)
- On-screen indication of the status of outputs, inputs and/or active tariff.

Application

The **CVM-B50** is specially designed to analyse changes in electrical variables, detect network harmonics, and measure energy, facilitating energy audits in accordance with ISO 50001 or obtaining CAE certification in the Spanish market.

Neutral current measurement allows the detection of circulating currents that may cause issues in the installation. The device can be integrated into SCADA systems for remote management and monitoring via WiFi or wired Ethernet connection.

It features digital inputs for logging consumption from other meters via pulses, detecting the status of



CVM-B50-MC

Panel-mounted power analyzers

Code: M56920.

installation sensors, or distinguishing consumption by tariff. Additionally, the digital outputs allow automation of the installation through open/close commands based on any measured instantaneous value.



CVM-B50-MC

Panel-mounted power analyzers

Code: M56920.

Specifications

AC power supply

Installation category	CAT III 300 V
Consumption	5 ... 8 VA
Frequency	50 ... 60 Hz
Nominal voltage	100 ... 240 V ~ ± 10%

DC power supply

Installation category	CAT III 300 V
Consumption	2.7 ... 3 W
Nominal voltage	100 ... 240 V _{cc} ± 10%

Mechanical characteristics

Size (mm) width x height x depth	96 x 96 x 67 (mm)
Envelope	Self-extinguishing V0 plastic
Fastening	Panel
Weight (kg)	0,363

Environmental characteristics

Protection class	IP 20, Front IP54
Relative humidity (without condensation)	5 ... 95%
Storage temperature	-25...+75 °C
Working temperature	-10 ...+50 °C

Current measurement circuit

Installation category	CAT III 300 V
Nominal current (I _n)	.../250 mA
Minimum current measurement	1 mA

Voltage measurement circuit

Installation category	CAT III 300 V
Input impedance	400 kΩ
Frequency measuring range	50 ... 60 Hz
Nominal voltage	230V F-N, 400 V F-F
Minimum measurement voltage (V _{start})	11,5 V F-N
Maximum value	300 VF-N / 520 VF-F

Standards

Electrical safety, Installation category	CAT III 300 V
Standards	IEC/EN 61010-1; IEC/EN 61010-2-030; IEC 613626-1; UNE-EN 55016-2-1; UNE-EN



CVM-B50-MC

Panel-mounted power analyzers

Code: M56920.

61000-4-2; UNE-EN 61000-4-20; UNE-EN 61000-4-4; UNE-EN 61000-4-5; UNE-EN 61000-4-6; UNE-EN 61000-4-8; UNE-EN IEC 61000-4-11; UNE-EN 61000-4-3; UNE-EN 60068-2-1; UNE-EN 60068-2-2; UNE-EN 60068-2-78; ETSI-EN 301 489-1 Ver. 2.2.3; ETSI-EN 301 489-17 Ver. 3.3.1; EN-18031-1; IEC 61557-12

User interface

LED	2 LED
Keyboard	3 keys
Display type	LCD Custom COG

Digital inputs

Input/output insulation	2000 V
Quantity	4
Type	NPN

Digital relay outputs

Electrical life (at maximum load)	60x10 ³ cycles
Mechanical life	10x10 ⁶ cycles
Maximum switching capacity	625 VA / 75 W (AC1)

Digital transistor outputs

Pulse width	30 ms a 400 ms (Programmable)
Quantity	2
Type	NPN
Maximum frequency	16 imp / s
Maximum current	50 mA
Maximum voltage	24 Vdc

Measurement accuracy

Phase current measurement	0.5% (10% In ≤ I ≤ 120%In)
Reactive power measurement (kvar)	2%
Apparent power measurement (kVA)	1%
Active power measurement (kW)	1%
Phase voltage measurement	0.2% (20 ... 120% Un)

CVM-B50

Panel Mounted power analyzer with memory

CODE	TYPE	Input current	Transistor output	Nº relays	Digital inputs	Communications	Protocol	Harmonics	Memory
M56910.	CVM-B50-ITF	.../5 A .../1 A	2	2	4	Ethernet Wi-Fi	Modbus TCP/IP	31	Yes



CVM-B50-MC

Panel-mounted power analyzers

Code: M56920.

CODE	TYPE	Input current	Transistor output	N° relays	Digital inputs	Communications	Protocol	Harmonics	Memory
M56920.	CVM-B50-MC	.../250 mA	2	2	4	Ethernet Wi-Fi	Modbus TCP/IP	31	Yes
M56930.	CVM-B50-FLEX Rogowski		2	2	4	Ethernet Wi-Fi	Modbus TCP/IP	31	Yes

Automatically resolves wiring errors via autowiring system

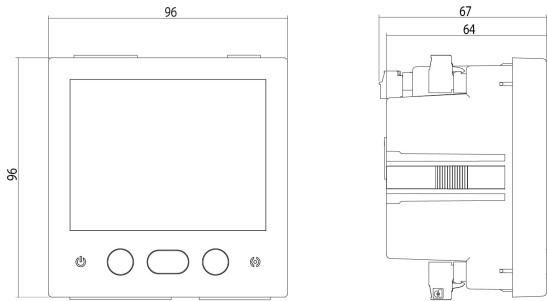


CVM-B50-MC

Panel-mounted power analyzers

Code: M56920.

Dimensions



Connections

Red trifásica 4 hilos Three-phase 4-wire network

