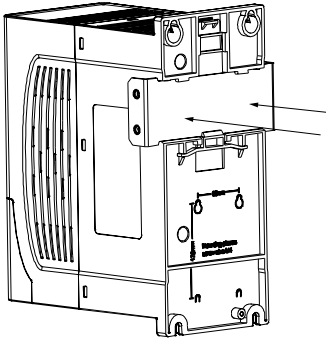


# SD1 NEMA 1 Kit Installation Guide



## Step 1

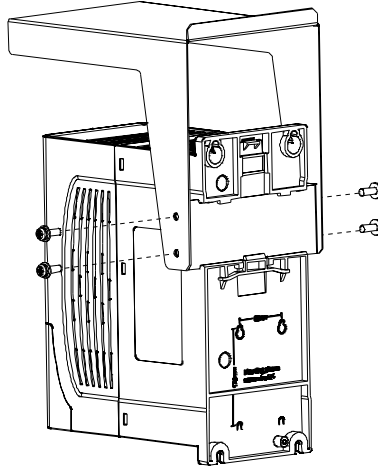
Plug in the drip-cover DIN rail plate into the DIN rail bracket of the inverter.



## Step 2

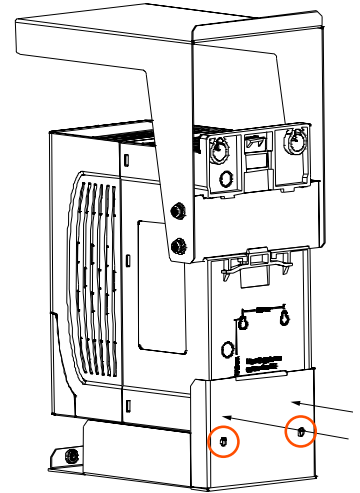
Place the drip-mounting cover's holes in line with the DIN rail plate's mounting holes. Use the four screws to secure the drip-cover to the mounting plate.

Screw quantity supplied: 4  
Screw Specifications: M4x10



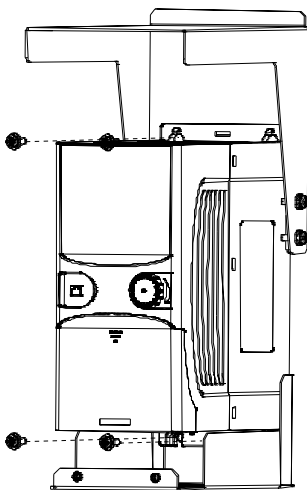
## Step 3

Put the junction box base on the drive's rear such that the mounting holes on the junction box base match the mounting holes on the drive's base.



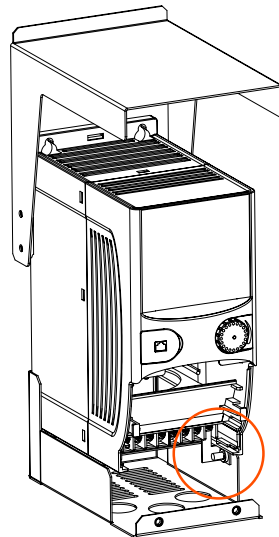
## Step 4

Secure the drive and junction box base to the wall by putting your four surface mounting screws through the drive mounting holes.



## Step 5

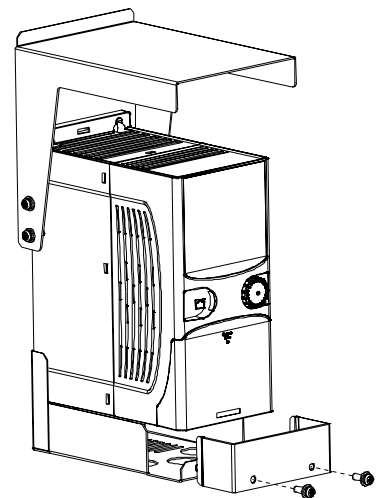
Connect the ground conductor from the junction box frame into the drive's ground terminal.



## Step 6

Connect the junction box base to the face plate of the junction box. Align the junction box face plate holes with the junction box base. The junction box face plate should be screwed to the junction box base using two screws.

Screw quantity supplied: 2  
Screw Specifications: M4x10



# SD1 NEMA 1 Kit Installation Guide



## Installation Guide

### NEMA Kit Cross Reference

	Models	Width (mm)	Depth (mm)
Inverter	SD1-4.2A-21	80	123.5
	SD1-7.5A-21		
NEMA KIT	<b>SD1-NK1-1</b>	102 (top), 83 (bottom)	150 (top), 122 (bottom)
Inverter	SD1-2.5A-11	80	140.5
	SD1-4.2A-11		
	SD1-5.8A-11		
	SD1-7.5A-21		
	SD1-10A-21		
	SD1-4.2A-23		
	SD1-2.5A-43		
	SD1-4.2A-43		
NEMA KIT	<b>SD1-NK1-2</b>	102 (top), 83 (bottom)	150 (top), 138 (bottom)
Inverter	SD1-7.5A-23	146	167
	SD1-10A-23		
	SD1-9.5A-43		
	SD1-14A-43		
NEMA KIT	<b>SD1-NK1-3</b>	167.5 (top), 155.5 (bottom)	240 (top), 169 (bottom)
Inverter	SD1-18.5A-43	170	196.3
	SD1-25A-43		
NEMA KIT	<b>SD1-NK1-4</b>	187.5 (top), 175.5 (bottom)	260 (top), 196 (bottom)



### IMO Precision Controls Ltd

The Interchange, Frobisher Way, Hatfield, Herts. AL10 9TG UK

Telephone: +44 [0]1707 414444  
 Fax: +44 [0]1707 414445  
 Email: automation@imopc.com