

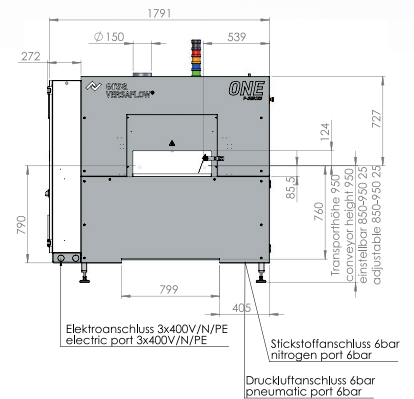
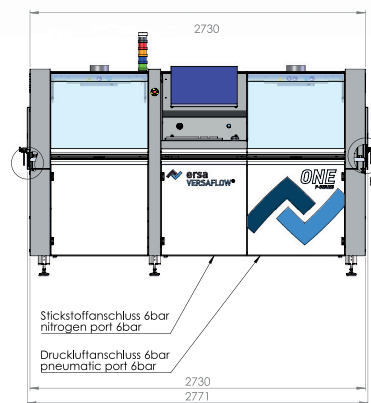
SELECTIVE DEAL 2026
€ 99.000,00
 incl. Training, excl. Transport
 Valid until 30.06.2026

VERSAFLOW ONE

THE ONE. FOR EVERYONE.

Your Entry into Selective Soldering Excellence.

-  The entry into the excellence class of selective soldering
-  Available as F-SERIES and X-SERIES for maximum throughput
-  Great performance for highest quality and throughput with compact dimensions
-  Intuitive operating concept with ERSASOFT 5
-  A future-proof investment – technology and services from the global market leader



MATERIAL NUMBER	DESCRIPTION
VF_ONE	Ersa VERSAFLW ONE
MS-VF-ONE	VERSAFLOW ONE - Basic machine
MS-VF-ONE-EV	Power consumption
MS-VF-ONE-SK-130E	Spray head 130 micrometer stainl. steel
MS-VF-ONE-VU1	Preheating 1 bottom side i.f.o SM1
MS-VF-ONE-VO1	Preheating 1 top side IFO SM1
MS-VF-ONE-TR1	Roller conveyor, soldering module 1
MS-VF-ONE-SL1	Vertical PCB fixing Soldering module 1
MS-VF-ONE-LZ1	Automatic Solder Wire Feeder, LM1
MS-VF-ONE-LDA1	Nozzle activation automatically LM1
MS-IS-E	SMEMA-Communication Interface for Infeed
MS-IS-O	SMEMA-Communication Interface for Outfeed
MS-IS-T-ZVEI-SD	ZVEI (MES)
330990	CAD-Assistant 4 WIN7+8+10 fullversion
372194	Glass plate, heat resistant
4SNP00-ZB0-010	De-Drossing Tool blue
106249	Cleaning tool for solder nozzles
3ZT00164	Nozzle removal tool
MS-BASIS-MINIWELLE	Accessory package (nozzles, gas caps, gasification ring, ...)
114609	S NOZZLE 3.0/6.0; H=47; B22
114611	S NOZZLE 4.0/8.0; H=47; B22
MS-LF-KB	Charge Solder pot with customers alloy
MS-VF-ONE-PL1	Packing Truck transport. basic machine

CONVEYOR SYSTEM	
Type	Segmented pin-and-chain conveyor for PCB transport without workpiece carrier
PCB width	80 – 508 mm
PCB length	120 – 508 mm
Clearance from PCB edge	3 mm
PCB top-side clearance	120 mm
PCB bottom-side clearance	80 mm
Conveyor speed	0.2 – 10 m/min
PCB/mask weight	max. 8 kg

BELMET MI
 BELMET MI d.o.o.
 Cesta Ljubljanske brigade 23 A
 SI-1000 Ljubljana

For all requests:
 Peter Pristov
 E-Mail: peter.pristov@belmet.si
 Phone: +386 1 518 88 33
 Mobil: +386 41 746 002